



# Solid base basket (full size)

Article number: 32Z4080 (Black), 32Z4100 (Red), 32Z4093 (Green), 32Z4101 (Blue)

For use with Merrychef eikon® model(s):

## Key benefits:

- Safe to be used in temperatures up to 600 °F (316 °C)
- Easy to handle due to stiffer sidewalls ensuring products don't slip off the basket
- Extended product life
- Excellent non-stick for easy cleaning and easy release of product from the basket



## Specifications:

- Unique textured surface holds food while maintaining excellent release and cleaning properties
- Includes an award-winning PTFE CrossFilm™ laminate technology
- Will not blister or delaminate
- Superior wear and tear resistance
- Upper use temperature: 316 °C (600 °F)
- Thickness: 0.25 mm (0.010")
- Dimensions: 13 mm x 279 mm x 279 mm (0.5" x 11" x 11")

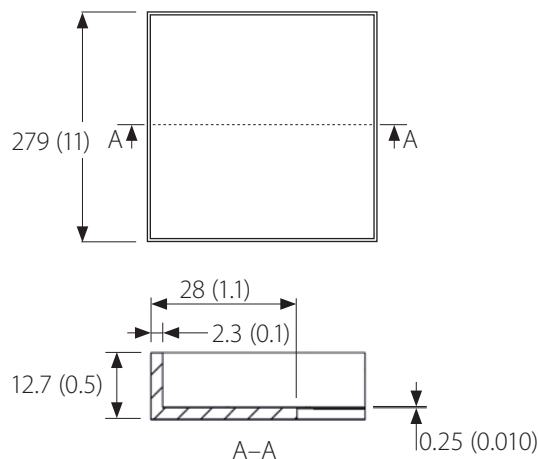
## Recommended application:

e.g. French fries & wedges/breaded food products e.g fish, chicken etc/handheld bread products with different fillings/food products with marinades and glazes

## Cleaning:

Wipe clean with a soft cloth or sponge in warm soapy water. To avoid damage always follow the recommended cleaning procedure. Do not use hard abrasives or wire wools on accessories. Suitable for dishwasher cleaning.

## Dimensions:



Article number: 32Z4080, 32Z4100, 32Z4093, 32Z4101 Issue 1 ENG-GBR 05/17. © 2017 Welbilt Inc. We reserve the right to change specifications appearing in this bulletin without incurring any obligation for equipment previously or subsequently sold.